



SPIERINGS
MOBILE CRANES

Make: SPIERINGS

Type: SK498-AT4

Crane specification

Serial Number

Year of Construction

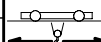
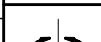

Crane group : 3 as per NEN 2018
 Loadspectrum : 2 as per NEN 2018
 Classification : A as per NEN 2018
 Stability : as per NEN 2022

Max. load
8,0 tonne

Max. radius with max. load
12,85 m

Max. capacity
103 tm

Max. jib length
44 m

Speed		Jib horizontal / jib 30° luffed	
m/min	kg		
18	8000		0 - 70 m/min
27	4000		
40	2000		0-0,9 rpm
60	0		

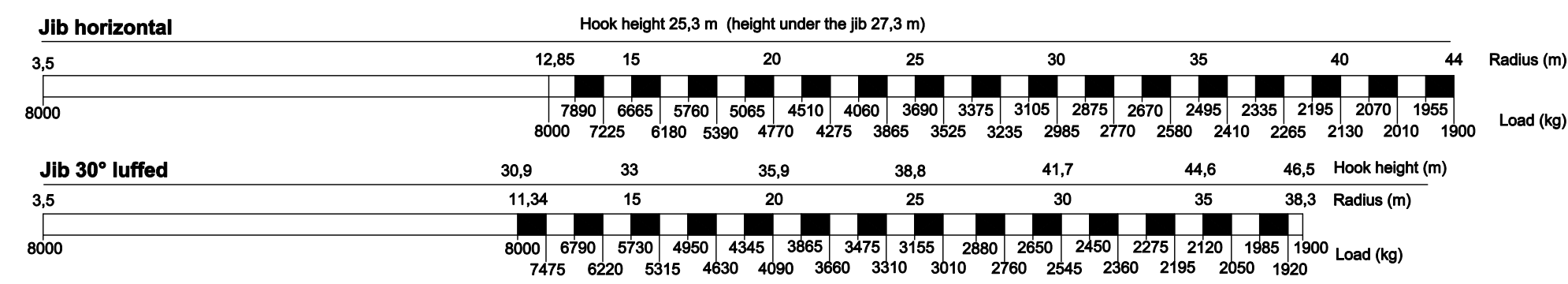
All motions with hydraulic proportional controls.
 Luffing the jib 30° can be controlled from crane cab or by remote control.
 The crane should be folded in at wind force 9 (Bf) (21 m/sec) or when not in use for a longer period.

Counterweight crane: 9500 kg.
 Continues slewing (360°) with outriggers out and support pads down.
 Crane can be driven in its erected position under special conditions (refer user guide).

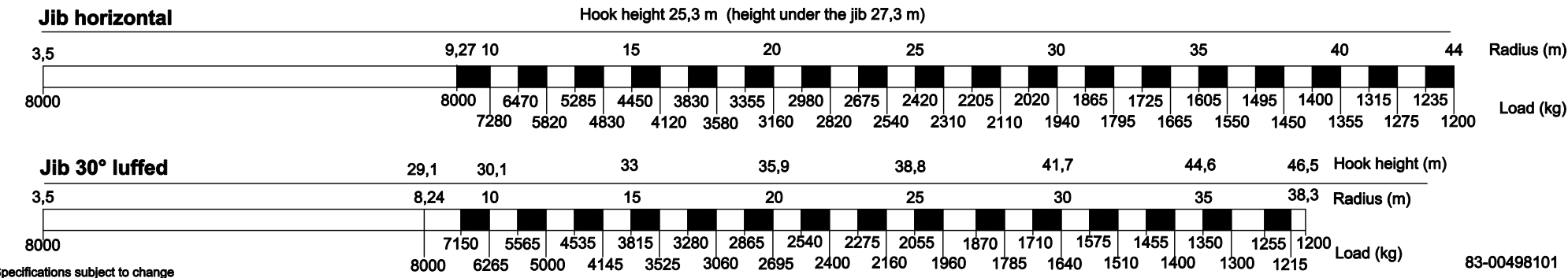
Rated lift capacity is net capacity. Always two parts of line.
 Max. line pull force: 4000 kg.
 Operating temperature range from: -15°C till + 40°C.
 Sail area of the load max.: 1,0 m²/ton.

Outrigger positioned according to lifting chart
 Outrigger support base : **6,925 m x 6,85 m**.
 Operation allowed up to wind force 8 Bf (17 m/sec).
 Outrigger support base : **6,925 m x 5,15 m**.
 Operation allowed up to wind force 8 Bf (17 m/sec).
Max. outrigger force: 360 kN.

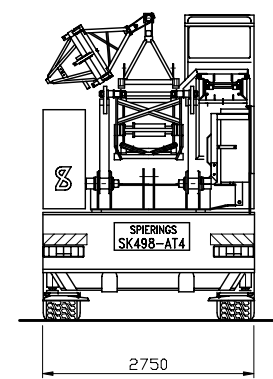
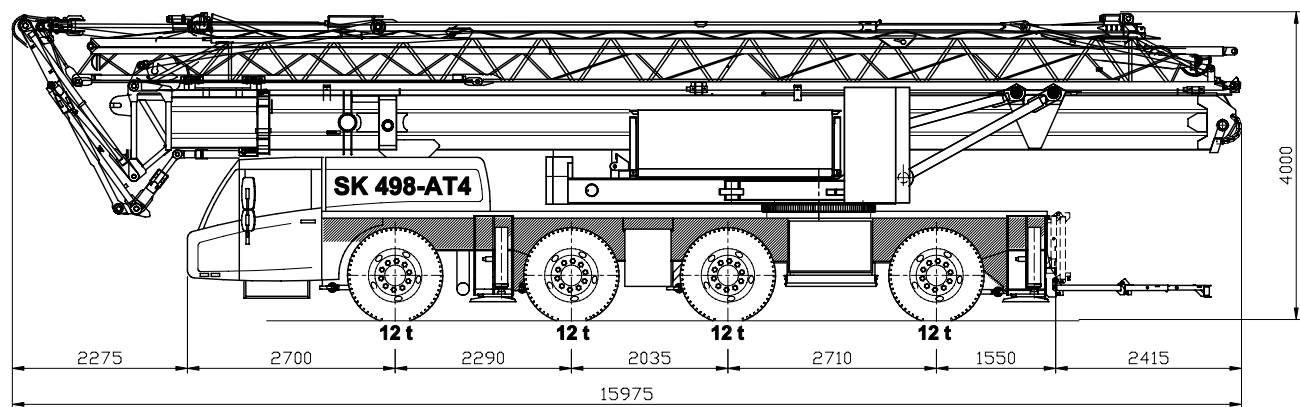
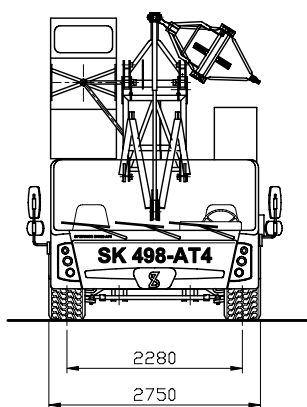
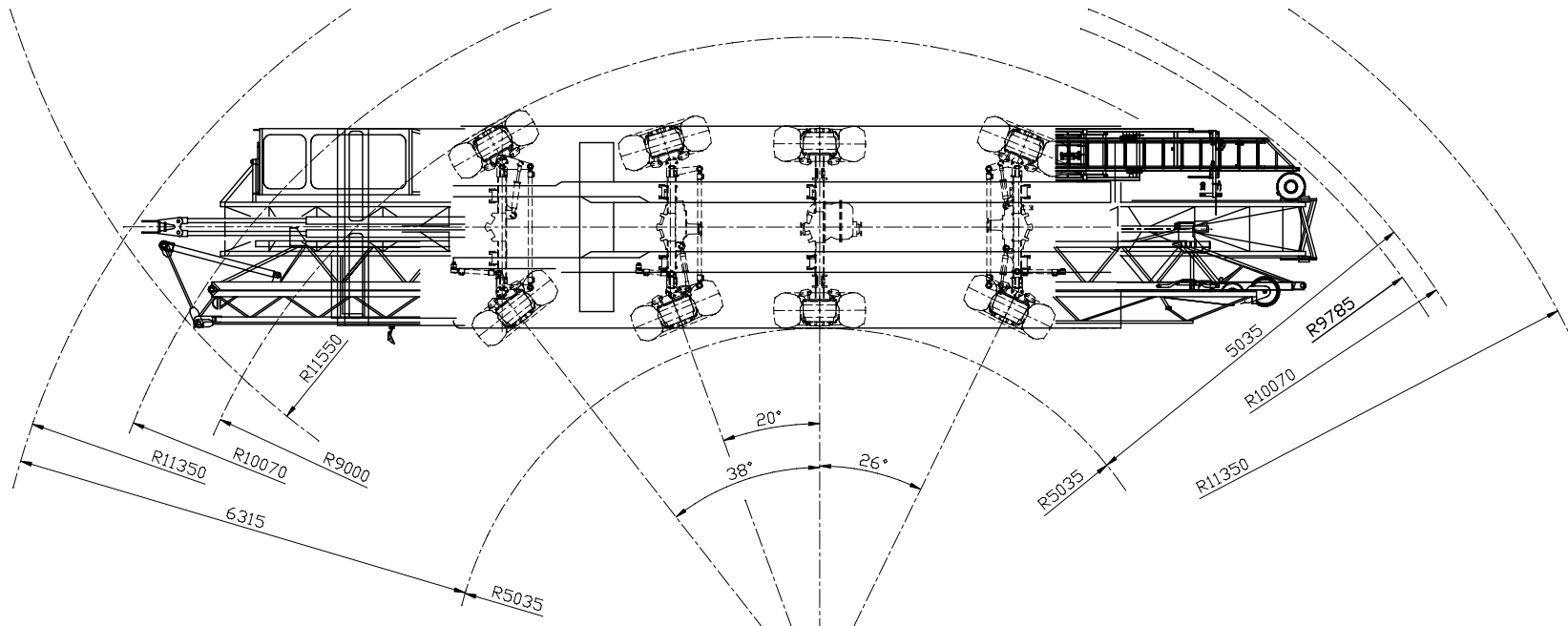
LIFTING CHART outrigger support base 6,925 m x 6,85 m up to wind force 8 on the Beaufort scale (17 m/sec)



LIFTING CHART outrigger support base 6,925 m x 5,15 m up to wind force 8 on the Beaufort scale (17 m/sec)



Specifications subject to change



SPIERINGS HYDRAULIC FOLDING CRANE

SK 498 - AT4



Merwedestraat 15
 5347 KZ Oss NL
 Tel. +31 (0)412-626964
 Fax +31 (0)412-645299
www.spieringscranes.com

Overall weight: 48000 kg

Specifications subject to change

83-00498102

SPIERINGS HYDRAULIC FOLDING CRANE SK498-AT4

Erection procedure of the crane

Max. outrigger force : 360 kN
 Outrigger support pads : 750x600 mm
 Ground pressure : 0,80 N/mm²
 Jib can be unfolded through 360°
 Luffing the Jib 30° can be controlled from
 the crane cab or remote control

Outrigger support plates : 1100x1100 mm
 surface : 1,21 m²
 Ground pressure : 0,30 N/mm²

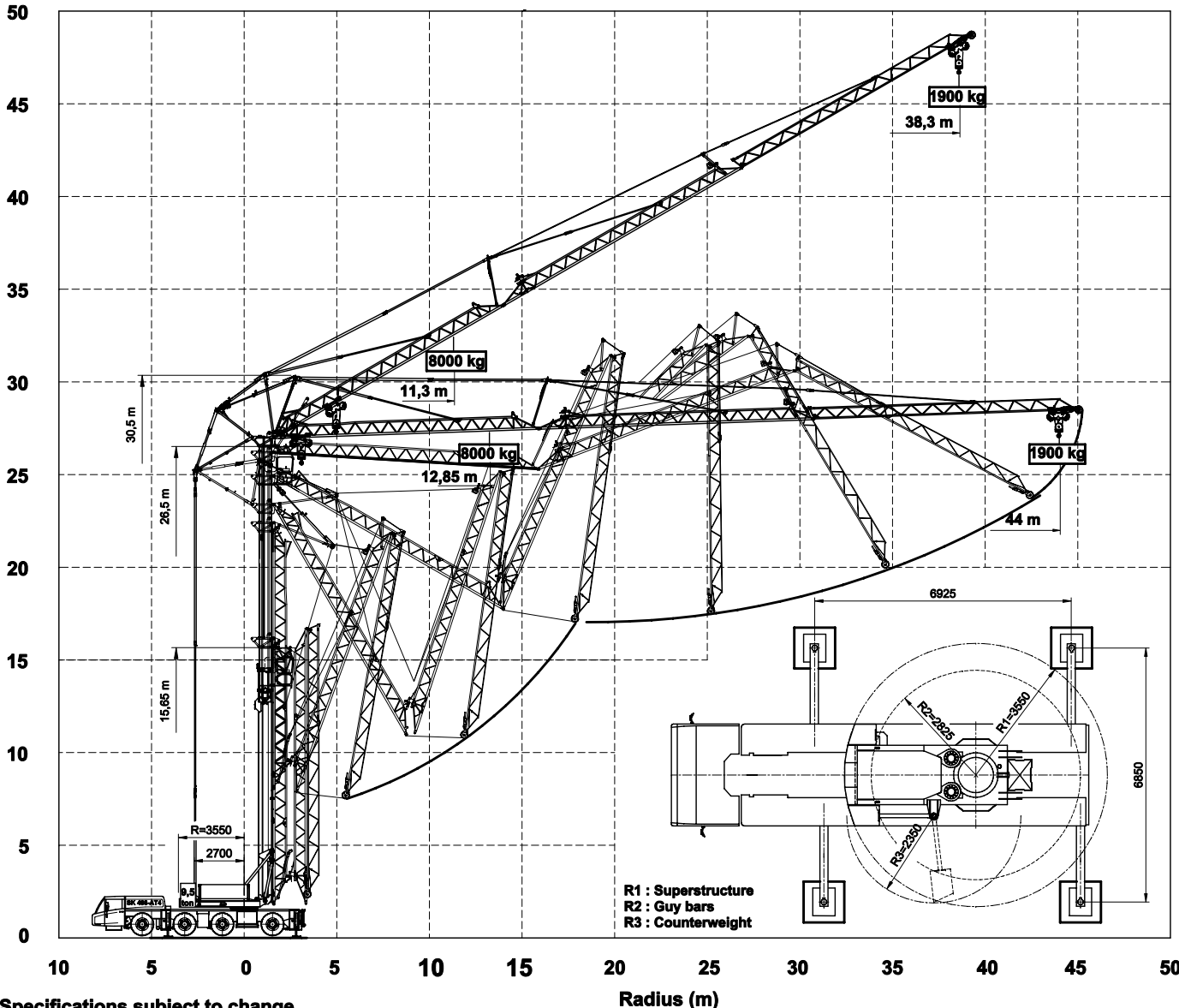
Hook height (m)

R1 : Superstructure
 R2 : Guy bars
 R3 : Counterweight


SPIERINGS
MOBILE CRANES

Merwedestraat 15
 5347 KZ Oss NL
 Tel. +31 (0)412-626964
 Fax +31 (0)412-645299
www.spieringscranes.com

83-00498103



50
45
40
35
30
25
20
15
10
5
0

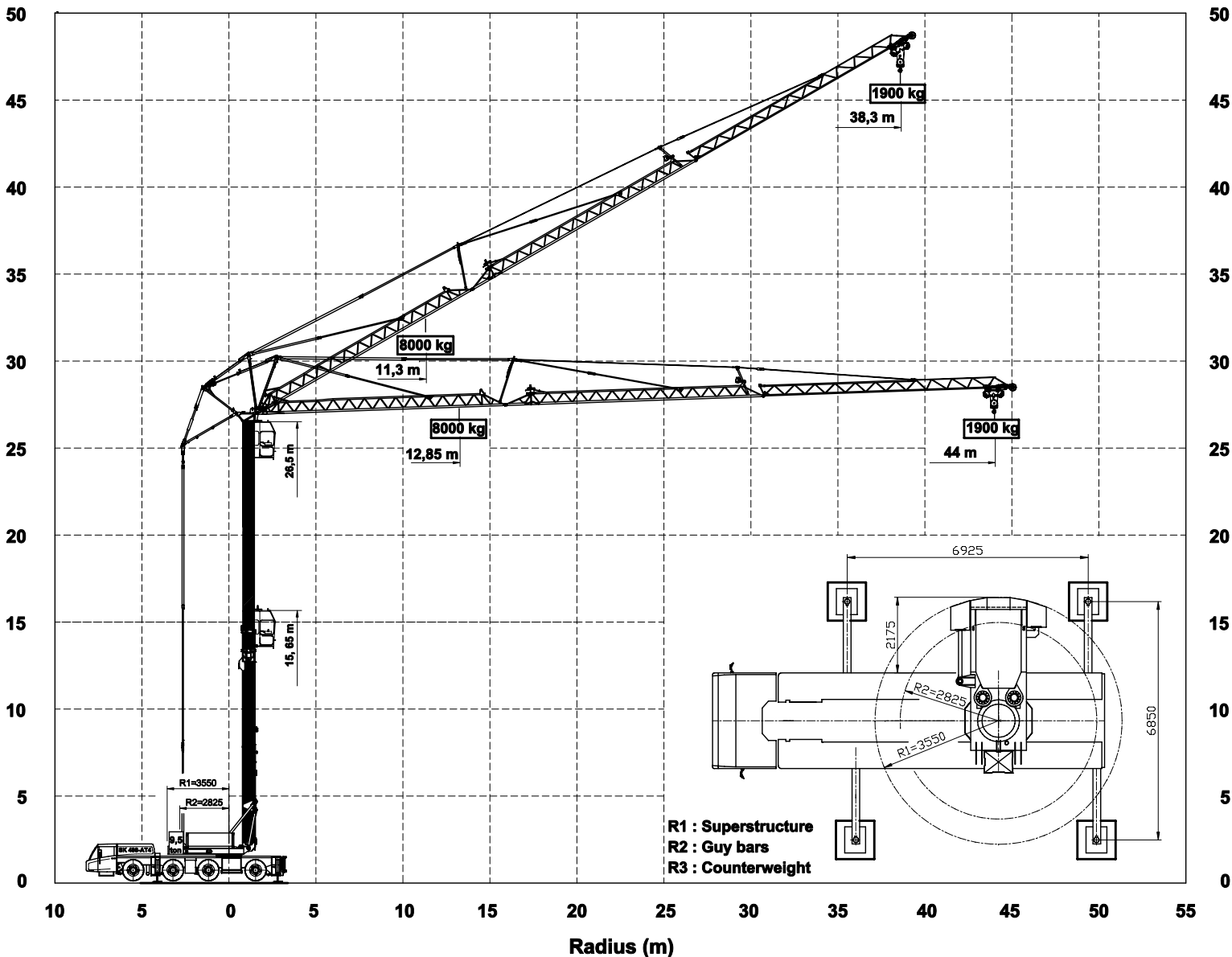
10 5 0 5 10 15 20 25 30 35 40 45 50

Specifications subject to change

Radius (m)

SPIERINGS HYDRAULIC FOLDING CRANE SK 498 - AT4

Hoisting Specifications
Outrigger support base
6,925 m x 6,85 m



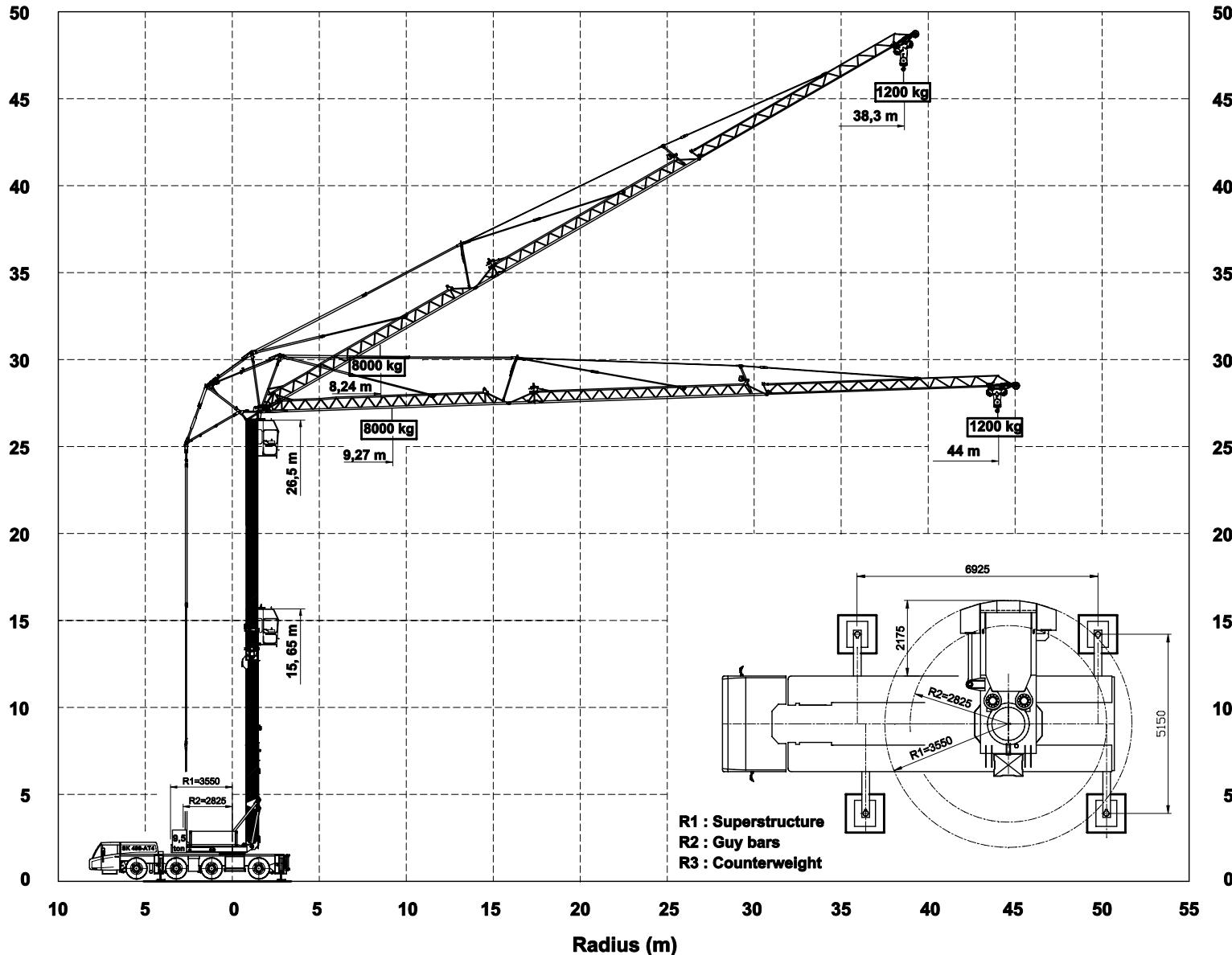
SPIERINGS
MOBILE CRANES

Merwedestraat 15
5347 KZ Oss NL
Tel. +31 (0)412-626964
Fax +31 (0)412-645299
www.spieringscranes.com

83-00498104

SPIERINGS
HYDRAULIC FOLDING CRANE
SK 498 - AT4

Hoisting Specifications
Outrigger support base
6,925 m x 5,15 m

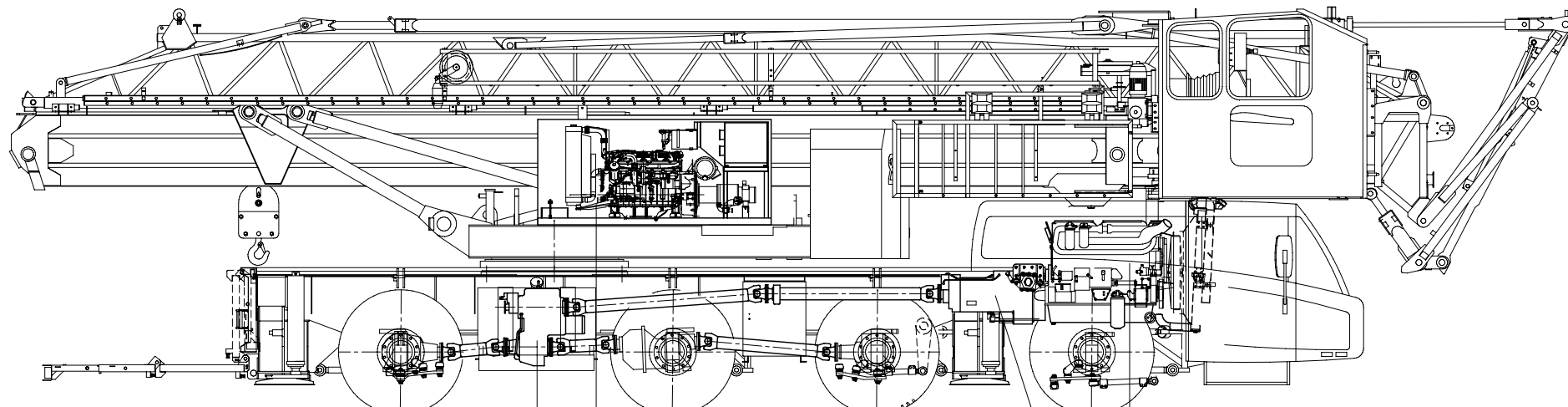


R1 : Superstructure
R2 : Guy bars
R3 : Counterweight

SPIERINGS
MOBILE CRANES

Merwedestraat 15
 5347 KZ Oss NL
 Tel. +31 (0)412-626964
 Fax +31 (0)412-645299
 www.spieringscranes.com

83-00498105



Axle 4

Axle 3

Axle 2

Axle 1

Transferbox
 STEYR VG2001/396
 Road gear $i=0,89$
 Off road gear $i=1,54$

Superstructure:
 John Deere 4045HF475
 Power: 129 kW (2200 rpm)
 Torque: 700 Nm (1400 rpm)

Gearbox:
 ZF 12AS2300
 Automatic
 + Intarder

Carrier Diesel Engine :
 Euro IV
 DAF: MX 300 (12,9 ltr)
 Power: 300 kW (1900 rpm)
 Torque: 2050 Nm (1500 rpm)

Axle 1 :Steer axle

Axle 2 :Steer axle, driven (end reduction $i=7,29$)

Axle 3 :Driven (end reduction $i=7,29$)

Axle 4 :Steer axle, driven (end reduction $i=7,29$)

Tyres

Suspension: hydro-pneumatic on all axles, stroke cyl.

Max. speed carrier

Min. speed carrier (diesel engine 1000 rpm)

Overall weight

: 445/75 R22,5

: 247 mm

: 82 km/h

: 1,6 km/h

: 48.000 kg.

DRIVE TRAIN SPIERINGS FOLDING CRANE

SK498-AT4

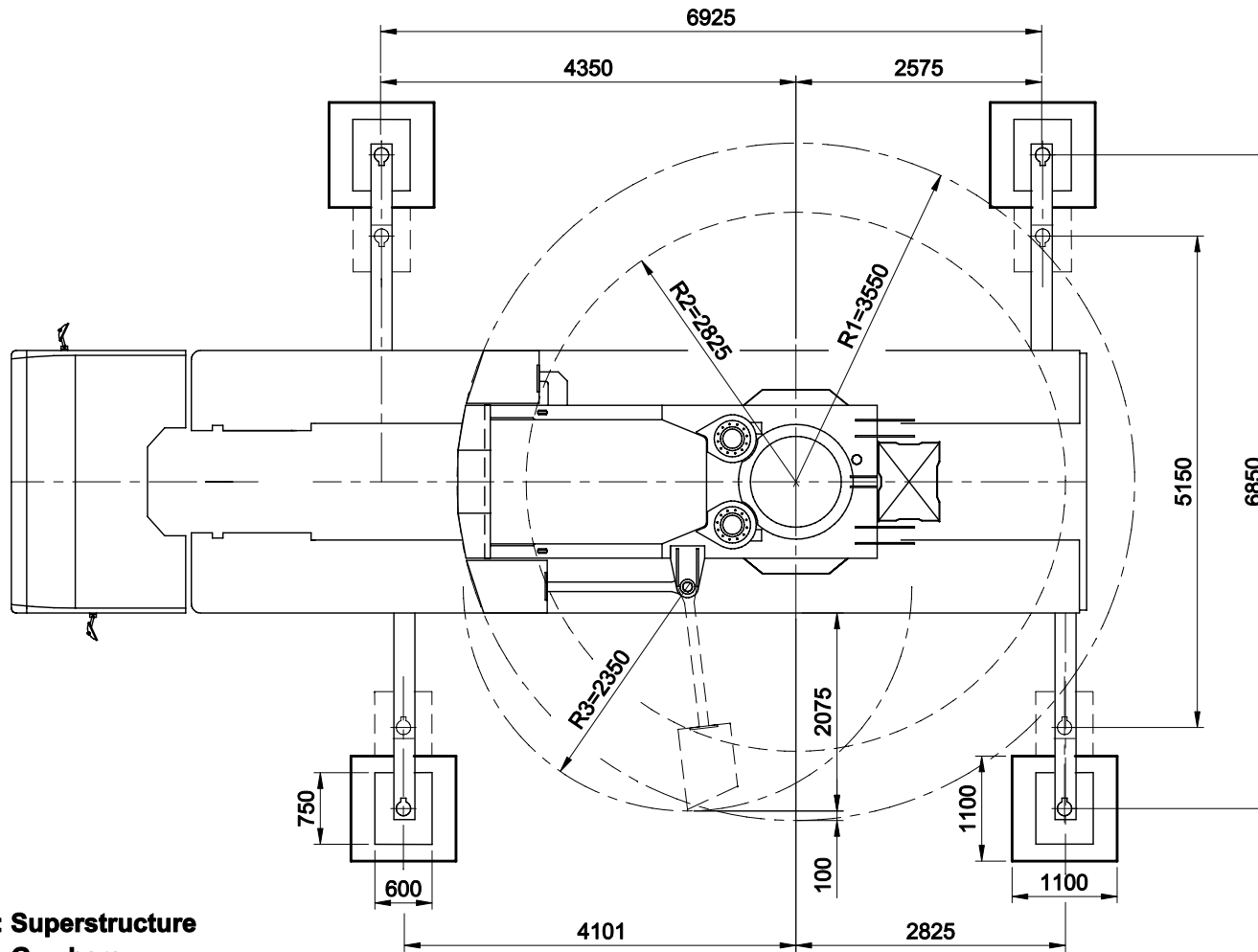
SPIERINGS
MOBILE CRANES

Merwedestraat 15
 5347 KZ Oss NL
 Tel. +31 (0)412-626964
 Fax +31 (0)412-645299
 www.spieringscranes.com

83-00498106

SPIERINGS

HYDRAULIC FOLDING CRANE SK 498 - AT4



R1 : Superstructure
R2 : Guy bars
R3 : Counterweight

Overzicht afstempeling	
Max. outrigger force	360 kN
Outrigger support pads	750x600 mm
Ground pressure	0,80 N/mm²
Outrigger support plates	1100x1100 mm
Surface	1,21 m²
Ground pressure	0,30 N/mm²

 **SPIERINGS**
MOBILE CRANES

Merwedestraat 15
 5347 KZ Oss NL
 Tel. +31 (0)412-626964
 Fax +31 (0)412-645299
www.spieringscranes.com

83-00498107