



**SPIERINGS  
KRANEN**

**Make: SPIERINGS**

**Type: SK377-AT3**

**Crane specification**

Serial number:

Year of construction:

Crane group : 3 as per NEN 2018  
 Loadspectrum : 2 as per NEN 2018  
 Classification : A as per NEN 2018  
 Stability : as per NEN 2022

Max. load  
**7,5 tonne**

Max. radius  
with max. load  
**10,4 m**

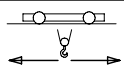
Max. capacity  
**78 tm**

Max. jib length  
**33 m**

**Speeds**

Jib horizontal/ jib 30° luffed

	m/min	kg
	18	7500
	27	3750
	36	1875
	60	0



0 - 70 m/min

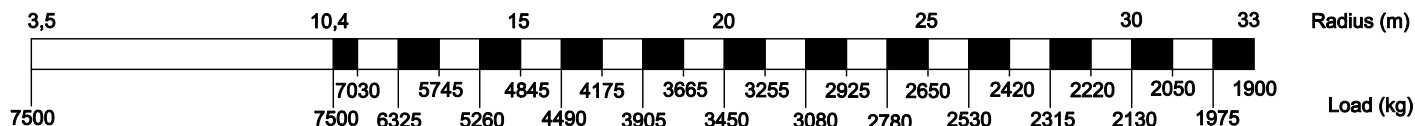


0 - 1 rpm

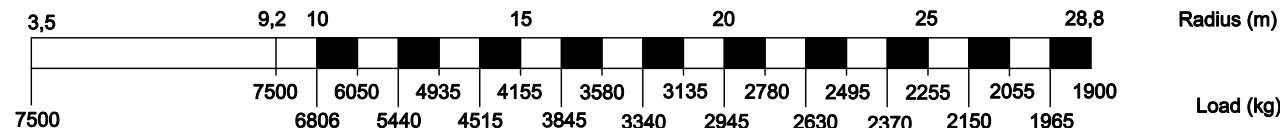
**LIFTING CHART Outrigger support base 6,90 m x 6,40 m**

**Jib horizontal**

Hookheight 20 m (height under jib 21,9 m)



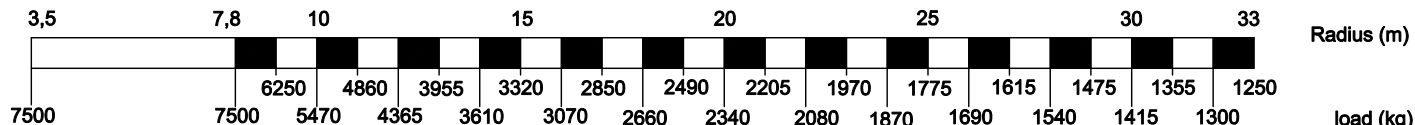
**Jib 30° luffed**



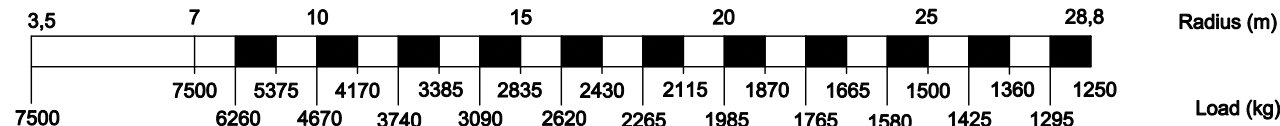
**LIFTING CHART Outrigger support base 6,90 m x 4,80 m**

**Jib horizontal**

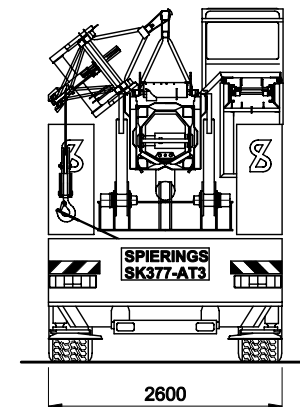
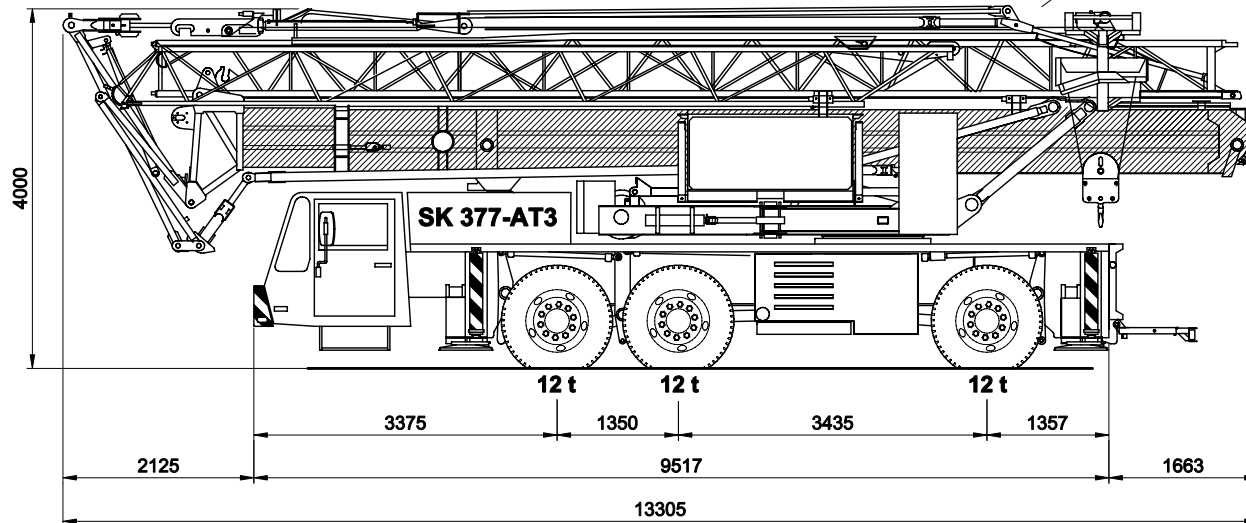
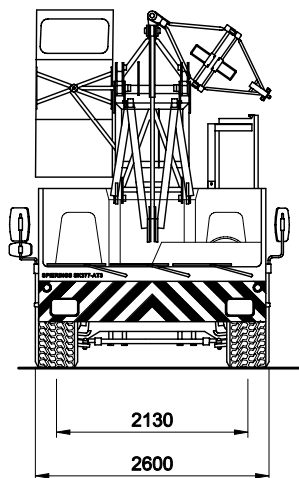
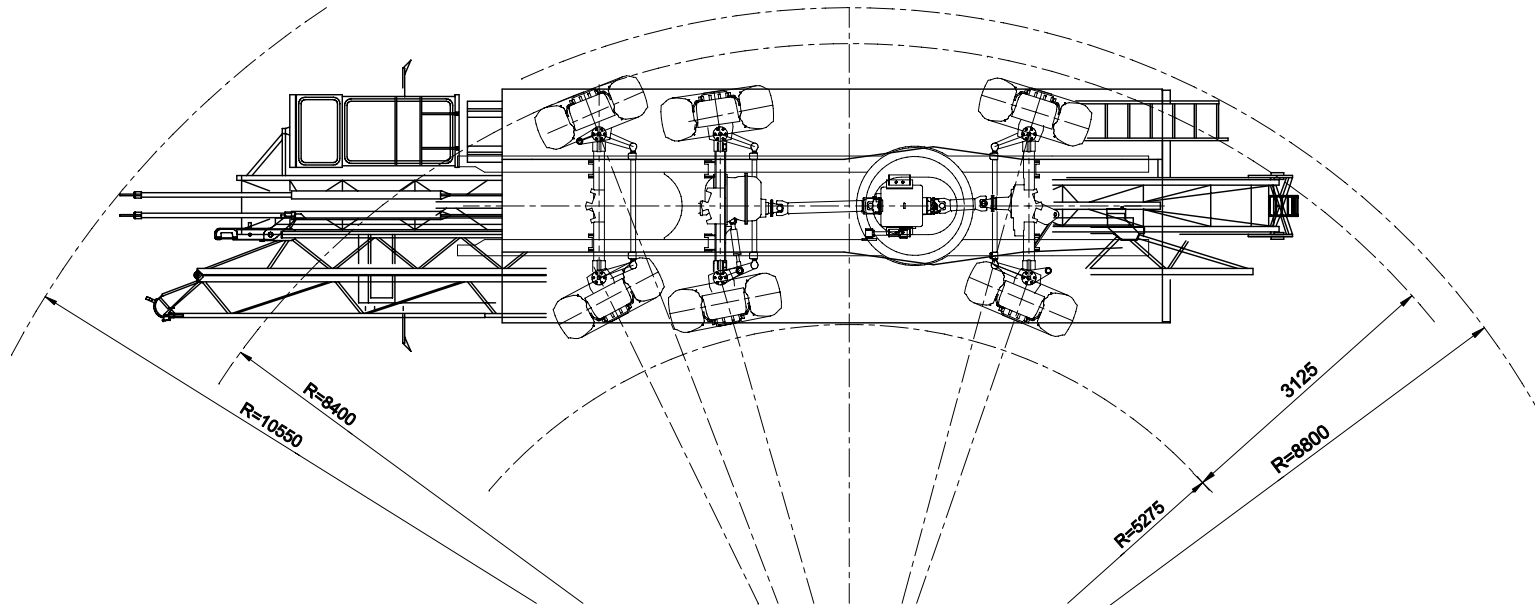
Hookheight 20 m (height under jib 21,9 m)



**Jib 30° luffed**



All motions with hydraulic proportional controls  
 Luffing the jib 30° can be controlled from crane cab or via remote control  
 Crane can be driven in its erected position under special conditions (refer user guide).  
 Rated lifting capacity is net capacity  
 Crane equipped with full counterweight: 5700kg  
 Continues slewing (360°) with outriggers out and support pads down.  
 2 Outriggers support bases: according to lifting chart  
 Operation allowed up to wind force 8 Bf (17 m/sec).  
 Sail area of the load max. 1,2 m² / tonne at a windforce of 7 on the Beaufortscale.  
 Operating temperature range from -15° to 40° C.  
 Max. line pull force 3750 kg; in all cases 2 parts of line  
 The crane should be folded in at a windforce of 9 Bf (21m/sec) or when not in use for a longer period  
 Changes subject to modifications



Total weight 36000 kg

## SPIERINGS HYDRAULIC FOLDING CRANE SK377-AT3

**SPIERINGS**  
MOBILE CRANES

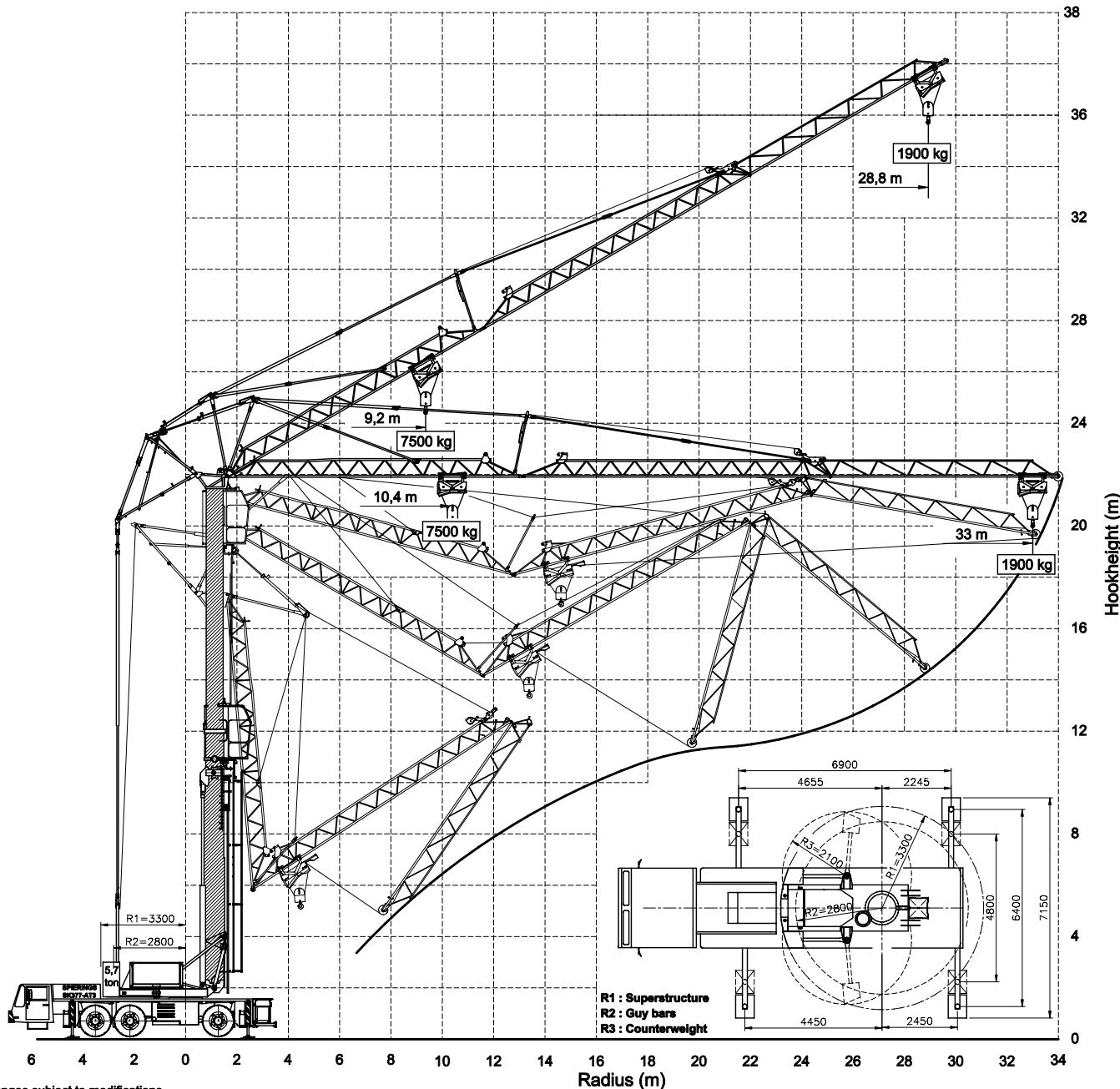
Merwedestraat 15  
5347 KZ Oss NL  
Tel. +31 (0)412-626964  
Fax +31 (0)412-645299  
www.spieringscranes.com

62-00377102

# SPIERINGS HYDRAULIC FOLDING CRANE SK 377 - AT3

## Erection procedure of the crane

Max. outrigger force : 300 kN  
 Outrigger support pads : 750x600 mm  
 Ground pressure : 0,67 N/mm<sup>2</sup>  
 Jib can be unfolded through 360°  
 Luffing the jib 30° can be controlled from  
 the crane cab or remote control




**SPIERINGS**  
**MOBILE CRANES**

Merwedestraat 15  
 5347 KZ Oss NL  
 Tel. +31 (0)412-626964  
 Fax +31 (0)412-645299  
[www.spieringscranes.com](http://www.spieringscranes.com)

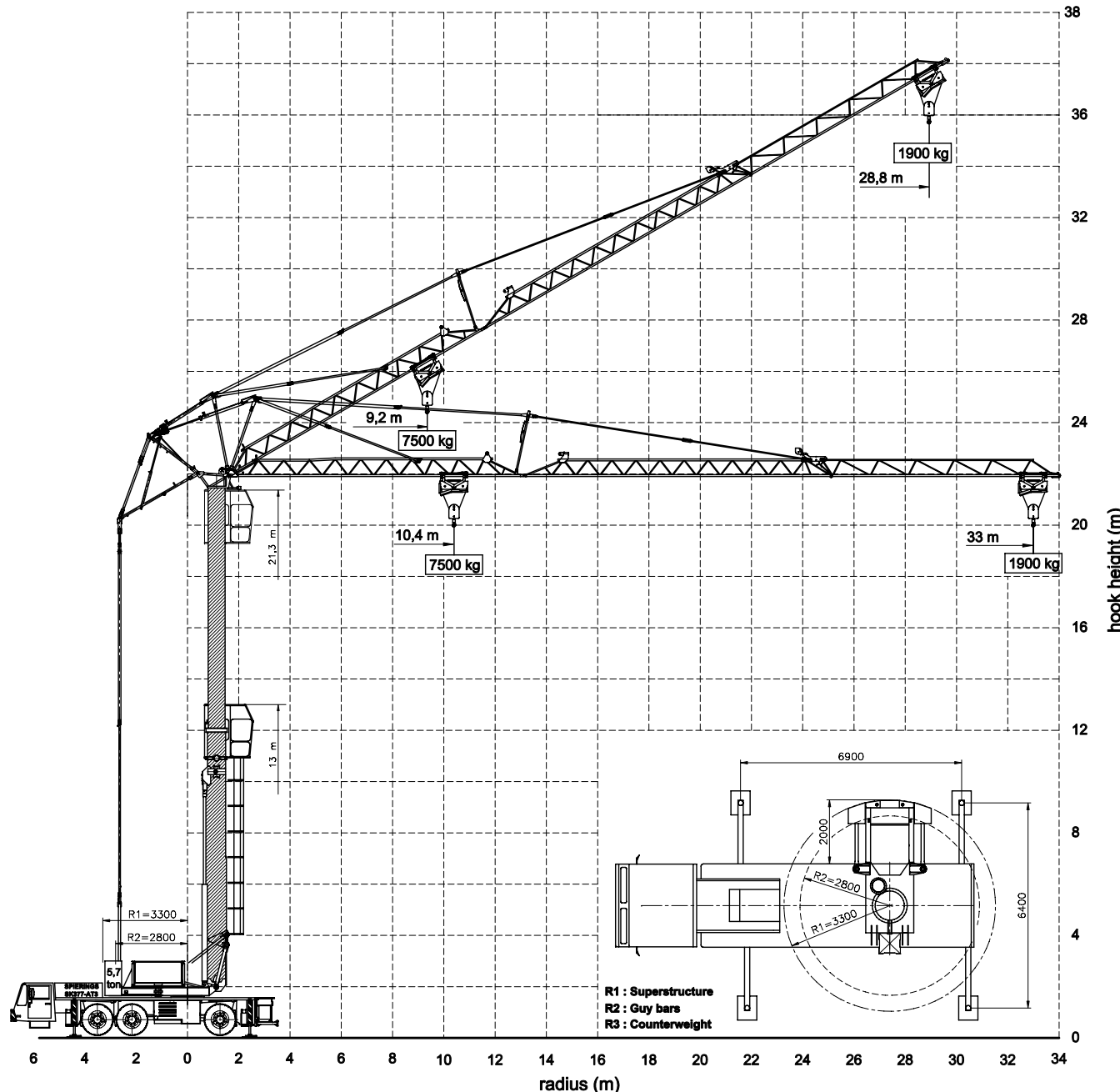
62-00377103

# SPIERINGS

## HYDRAULIC FOLDING CRANE

### SK 377 - AT3

**Hoisting Specifications**  
**Outrigger square: 6,90 m x 6,40 m**



R1 : Superstructure  
 R2 : Guy bars  
 R3 : Counterweight

**SPIERINGS**  
**MOBILE CRANES**

Merwedestraat 15  
 5347 KZ Oss NL  
 Tel. +31 (0)412-626964  
 Fax +31 (0)412-645299  
 www.spieringscranes.com

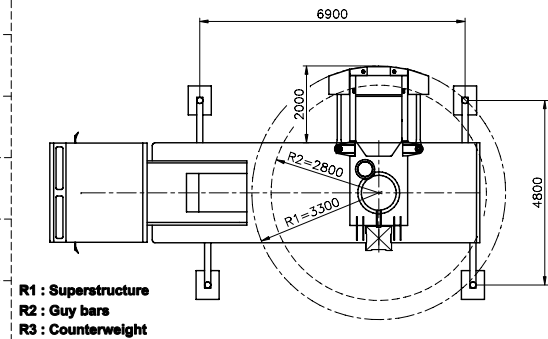
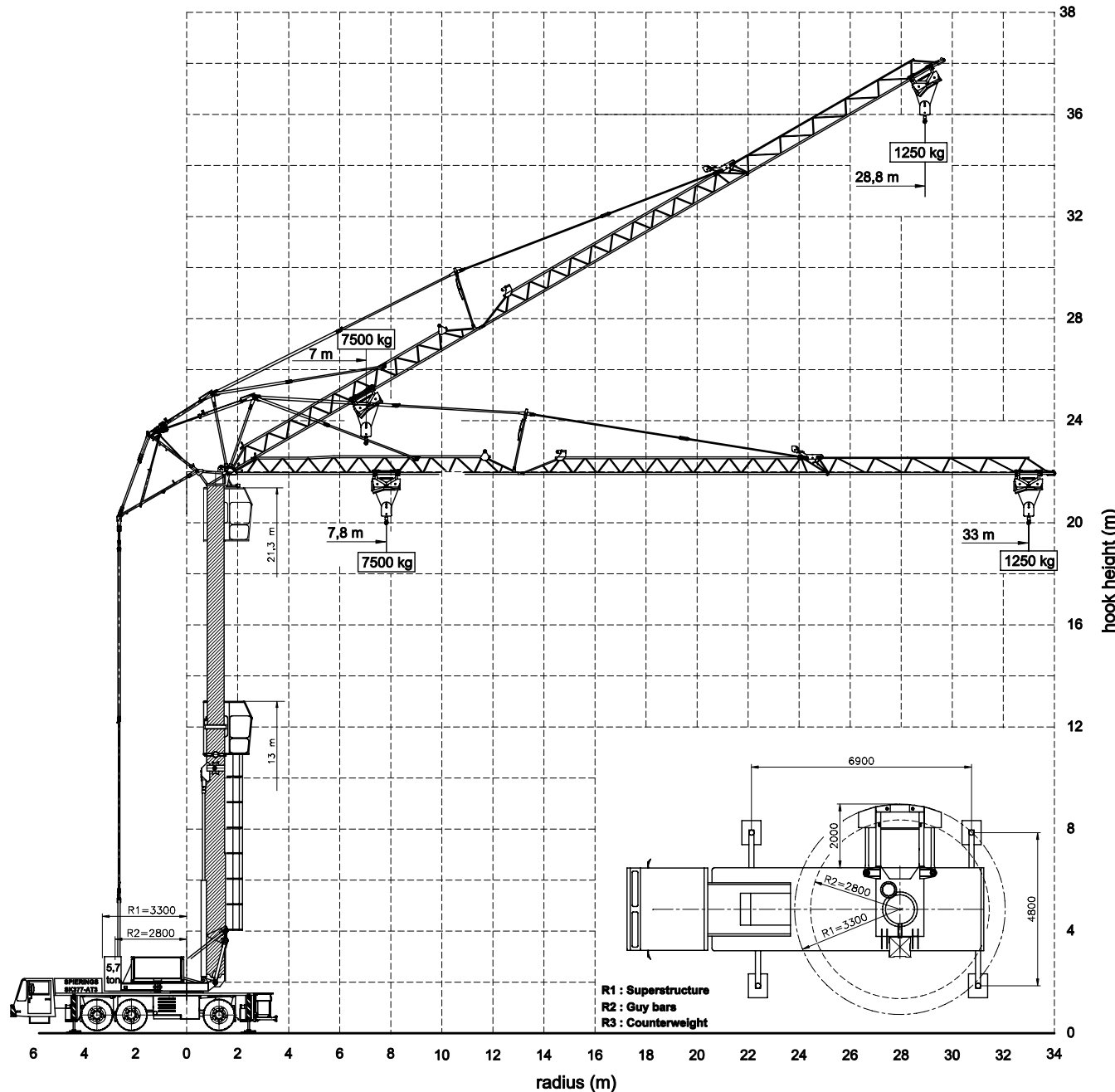
Changes subject to modifications

# SPIERINGS

## HYDRAULIC FOLDING CRANE

### SK 377 - AT3

**Hoisting Specifications**  
**Outrigger square: 6,90 m x 4,80 m**

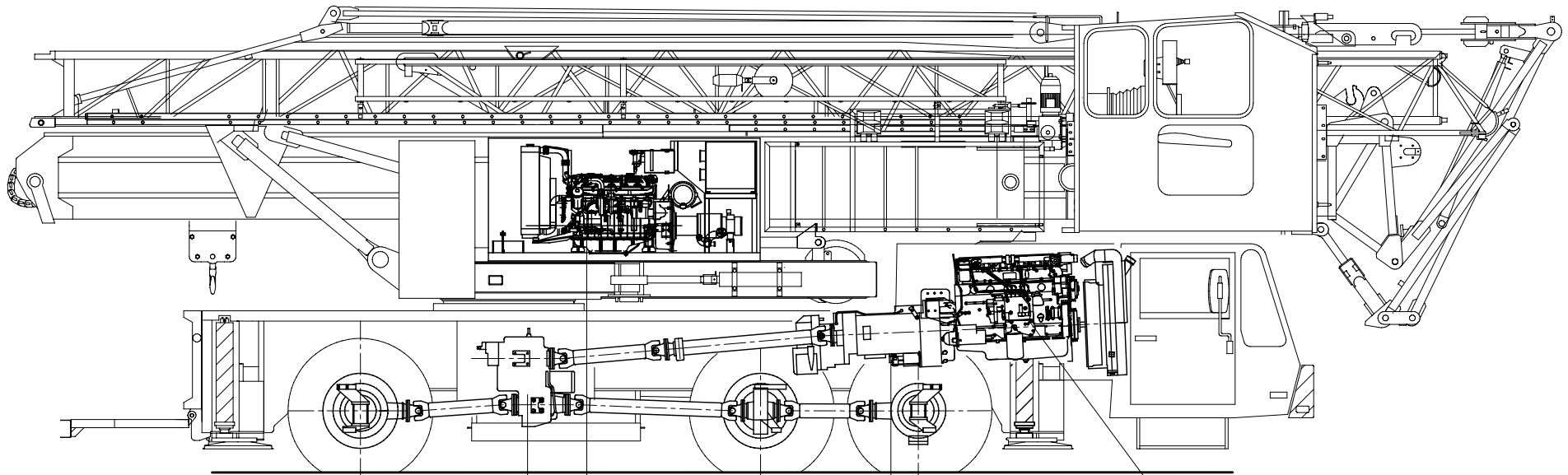


R1 : Superstructure  
R2 : Guy bars  
R3 : Counterweight

**SPIERINGS**  
**MOBILE CRANES**

Merwedestraat 15  
5347 KZ Oss NL  
Tel. +31 (0)412-626964  
Fax +31 (0)412-645299  
www.spieringscranes.com

Changes subject to modifications



**Axle 3**

Transferbox:  
**STEYR VG1600/396**  
 Road gear:  $i=0,89$   
 Off road gear:  $i=1,54$

**Axle 2**

Crane diesel engine  
**John Deere 4045HF475**  
 Power: 129 kW (2200 tpm)  
 Torque: 700 Nm (1400 tpm)

**Axle 1**

Gearbox:  
**ZF 16S151**  
 Manually operated with  
 air power assistance  
 + dry plate clutch

**Carrier diesel engine:**

Euro IV  
**DAF: PR 265 (9,2 ltr)**  
 Power: 265 kW (2200 tpm)  
 Torque: 1450 Nm (1700 tpm)

**Axle 1 : steer drive axle (i=7,29)**

**Axle 2 : axle, (not steering, not driven)**

**Axle 3 : steer drive axle (i=7,29)**

**Suspension: hydro-pneumatic on all axles; stroke cyl. : 247 mm**

**Tyres**

**Max. speed carrier**

**Min. speed carrier (engine at 1000 rpm)**

**Overall weight**

**: 445/75 R22,5**

**85 km/h**

**1,8 km/h**

**36000 kg**

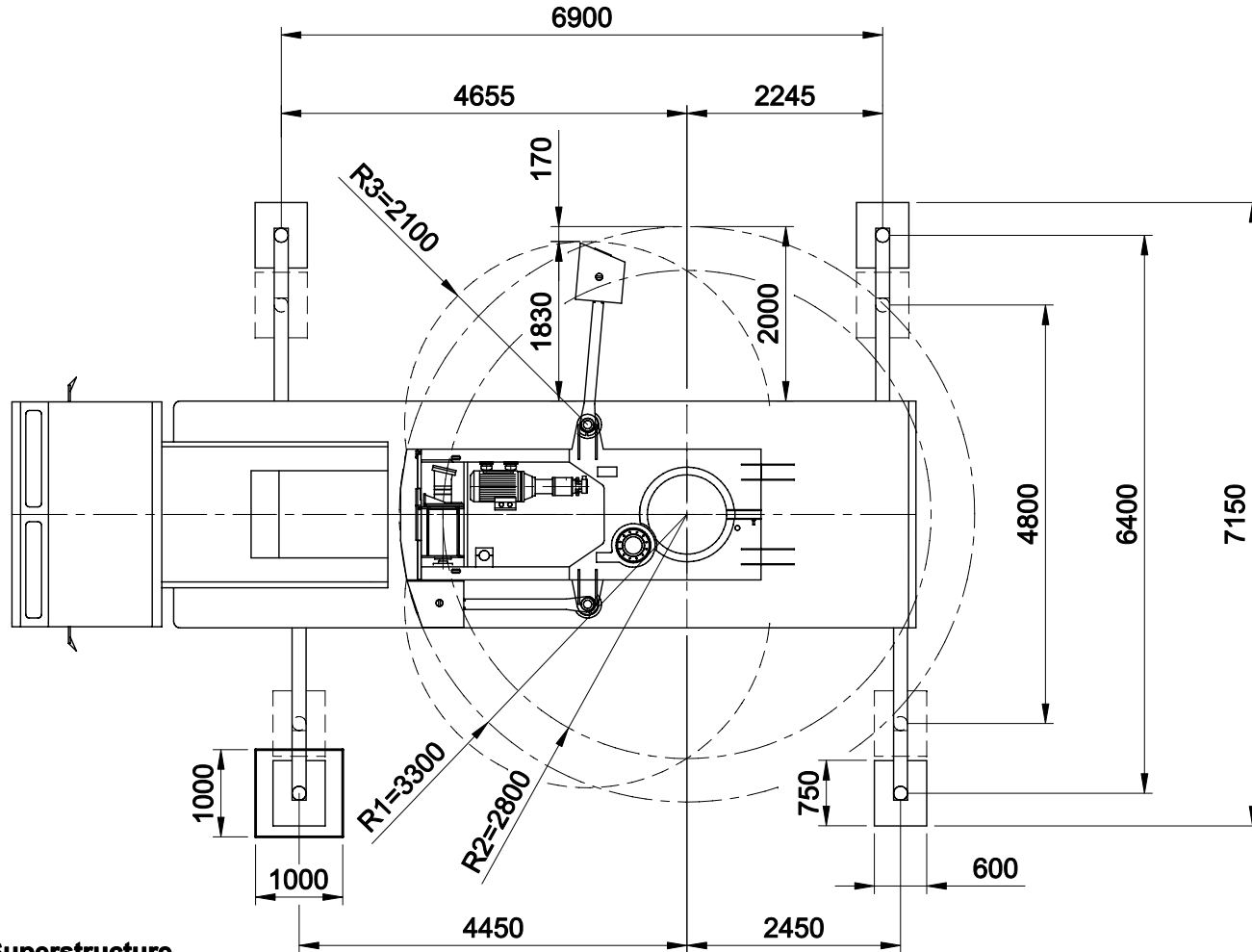
**SPIERINGS**  
**MOBILE CRANES**

Merwedestraat 15  
 5347 KZ Oss NL  
 Tel. +31 (0)412-626964  
 Fax +31 (0)412-645299  
 www.splieringscranes.com

# Drive train Spierings Folding Crane SK377-AT3

# SPIERINGS

## HYDRAULIC FOLDING CRANE SK 377-AT3



**R1 : Superstructure**  
**R2 : Guy bars**  
**R3 : Counterweight**

<b>Outrigger support base</b>	
<b>Max. outrigger force</b>	<b>300 kN</b>
<b>Outrigger support pads</b>	<b>750x600 mm</b>
<b>Ground pressure</b>	<b>0,67 N/mm<sup>2</sup></b>
<b>Outrigger support plates</b>	<b>1000x1000 mm</b>
<b>Surface</b>	<b>1,00 m<sup>2</sup></b>
<b>Ground pressure</b>	<b>0,30 N/mm<sup>2</sup></b>

**SPIERINGS**  
**MOBILE CRANES**

Merwedestraat 15  
 5347 KZ Oss NL  
 Tel. +31 (0)412-626964  
 Fax +31 (0)412-645299  
[www.spieringscranes.com](http://www.spieringscranes.com)

62-00377107