



SPIERINGS CRANES

Make: SPIERINGS

Type: SK1265-AT6

Crane specification (Jib length 60 m)

Serial number

Year of construction

Crane group : A3 as per FEM 1.001
 Loadspectrum : Q1 as per FEM 1.001
 Classification : U4 as per FEM 1.001
 Stability : as per FEM 1.001

Max. load
10,0 tonne

Max.radius
with max. load
13,2 m

Max. capacity
132 tm

Max. jib length
60 m

Speeds Jib horizontal / jib 30° luffed

	m/min	kg		0 - 70 m/min
	15	10000		
	30	5000		0-0,7 r/min
	45	2500		
75	0			

All motions with hydraulic proportional controls.
 Luffing the jib 30° can be controlled from crane cab or by remote control.
 Crane can be driven in its erected position under special conditions (refer user guide).

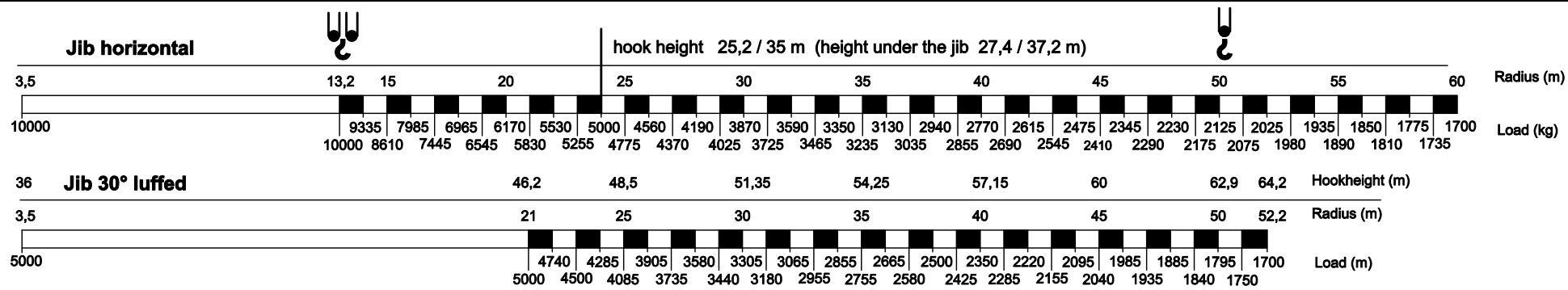
Continuous slewing of the crane (360°) with the outriggers out and support pads down.
 The crane should be folded in at wind force 9 (Bf) (21 m/sec) or when not in use for a longer period.
 Operating temperature range from -15°C till +40°C

Counterweight Crane : 13600 kg.
 Rated lifting capacity is net capacity.
 Max. line pull force : 2500 kg.
 2 parts of line : 5000 kg - 1700 kg
 4 parts of line : 10000 kg - 5000 kg
 Sail area of the load max.: 1,0 m²/ ton.

Outriggers positioned according to lifting chart
 Outrigger support base : 7,95 x 7,66 m.
 Operation allowed up to wind force 7 (14 m/s).
 Outrigger support base : 7,95 x 5,72 m.
 Operation allowed up to wind force 7 (14 m/s).
 Max. outrigger force: 520 kN.

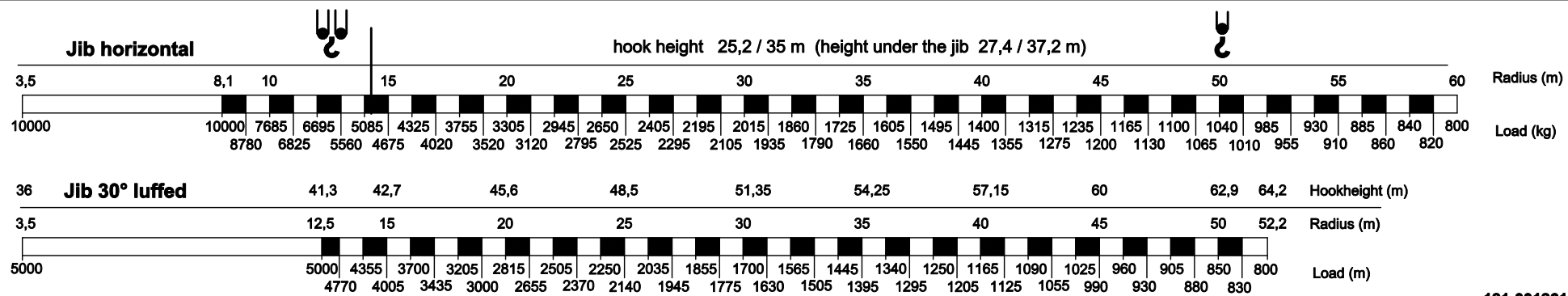
Lifting chart

Outrigger support base : 7,95 m x 7,66 m

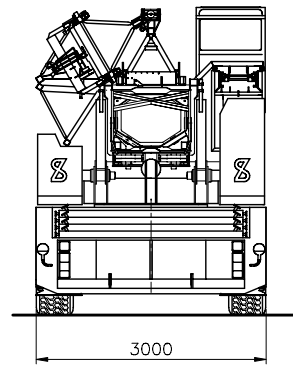
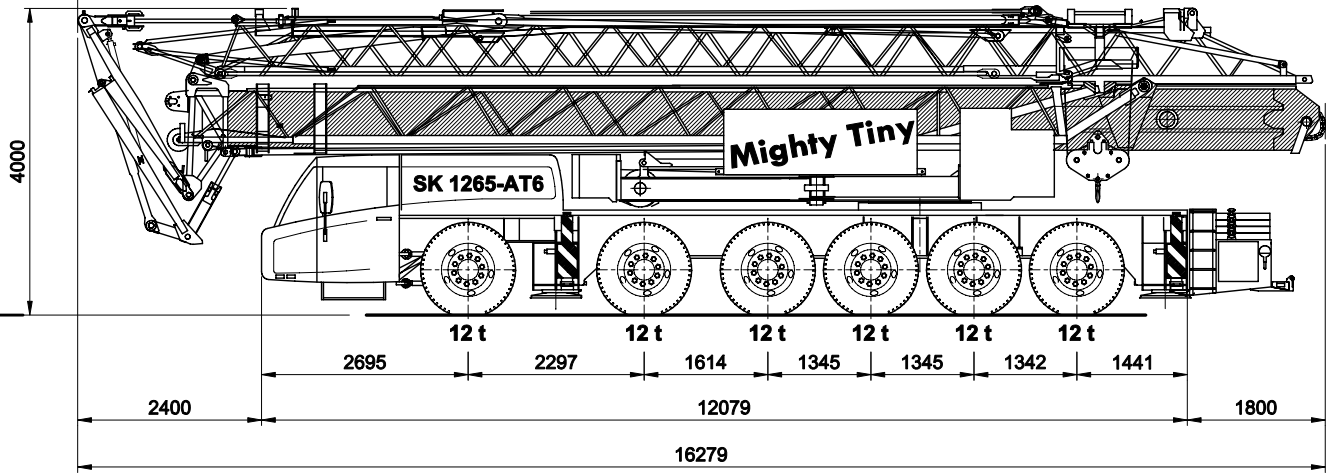
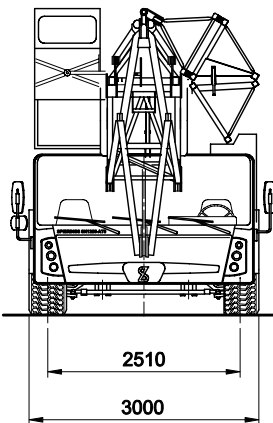
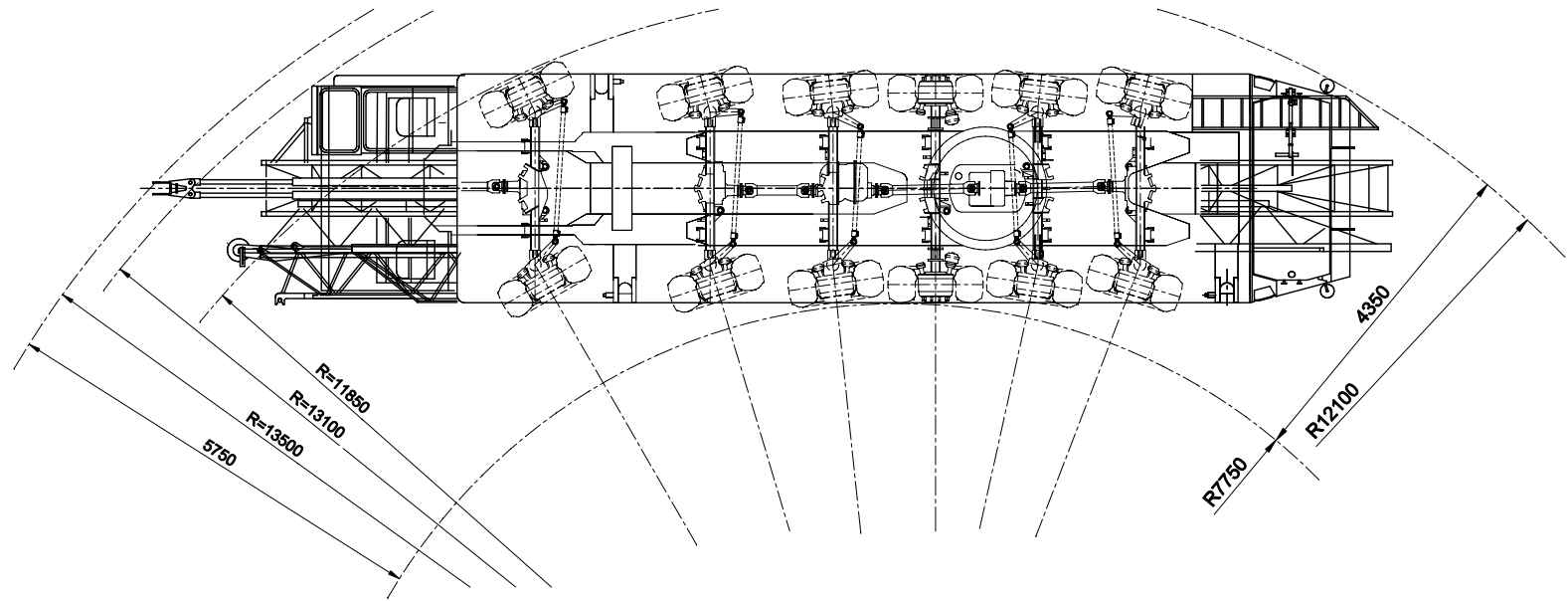


Lifting chart

Outrigger support base : 7,95 m x 5,72 m



changes subject to modifications



SPIERINGS HYDRAULIC FOLDING CRANE SK 1265 - AT6

Total weight: 72000 kg
Changes subject to modifications

SPIERINGS
MOBILE CRANES
Merwedestraat 15
5347 KZ Oss NL
Tel. +31 (0)412-626964
Fax +31 (0)412-645299
www.spieringscranes.com

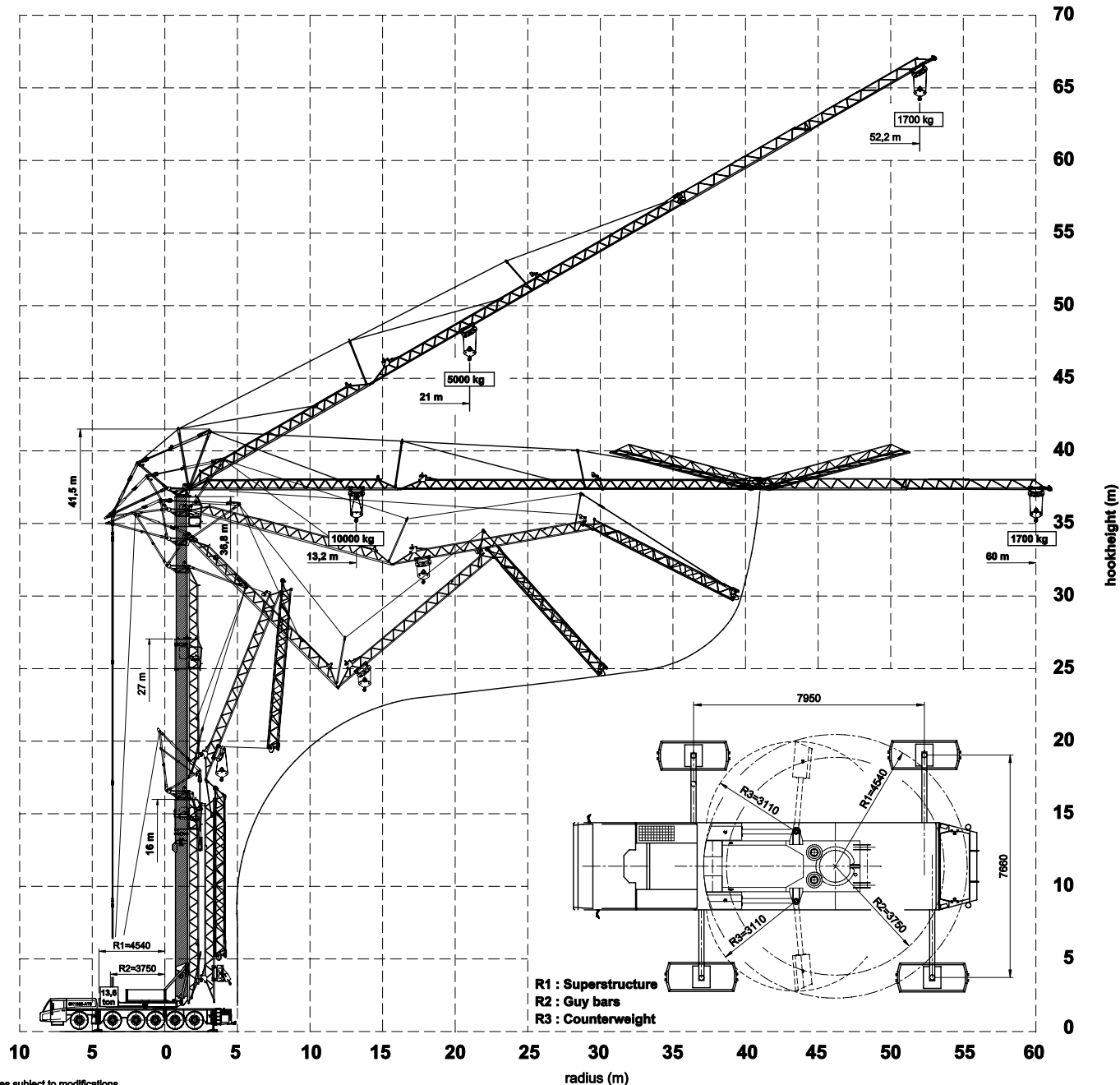
121-00126102

SPIERINGS HYDRAULIC FOLDING CRANE SK1265-AT6

Erection procedure of the crane
Jib radius 60 m

Max. outrigger force : 520 kN
 Outrigger support pads : 750x600 mm
 Ground pressure : 1,15N/mm²
 Jib can be unfolded through 360°
 Luffing the jib 30° can be controlled from
 the crane cab or remote control

Outrigger support plates : 2500x1000 mm
 surface : 2,35 m²
 Ground pressure : 0,22 N/mm²



SPIERINGS
MOBILE CRANES

Merwedestraat 15
 5347 KZ Oss NL
 Tel. +31 (0)412-626964
 Fax +31 (0)412-645299
www.spieringscranes.com

121-00126103

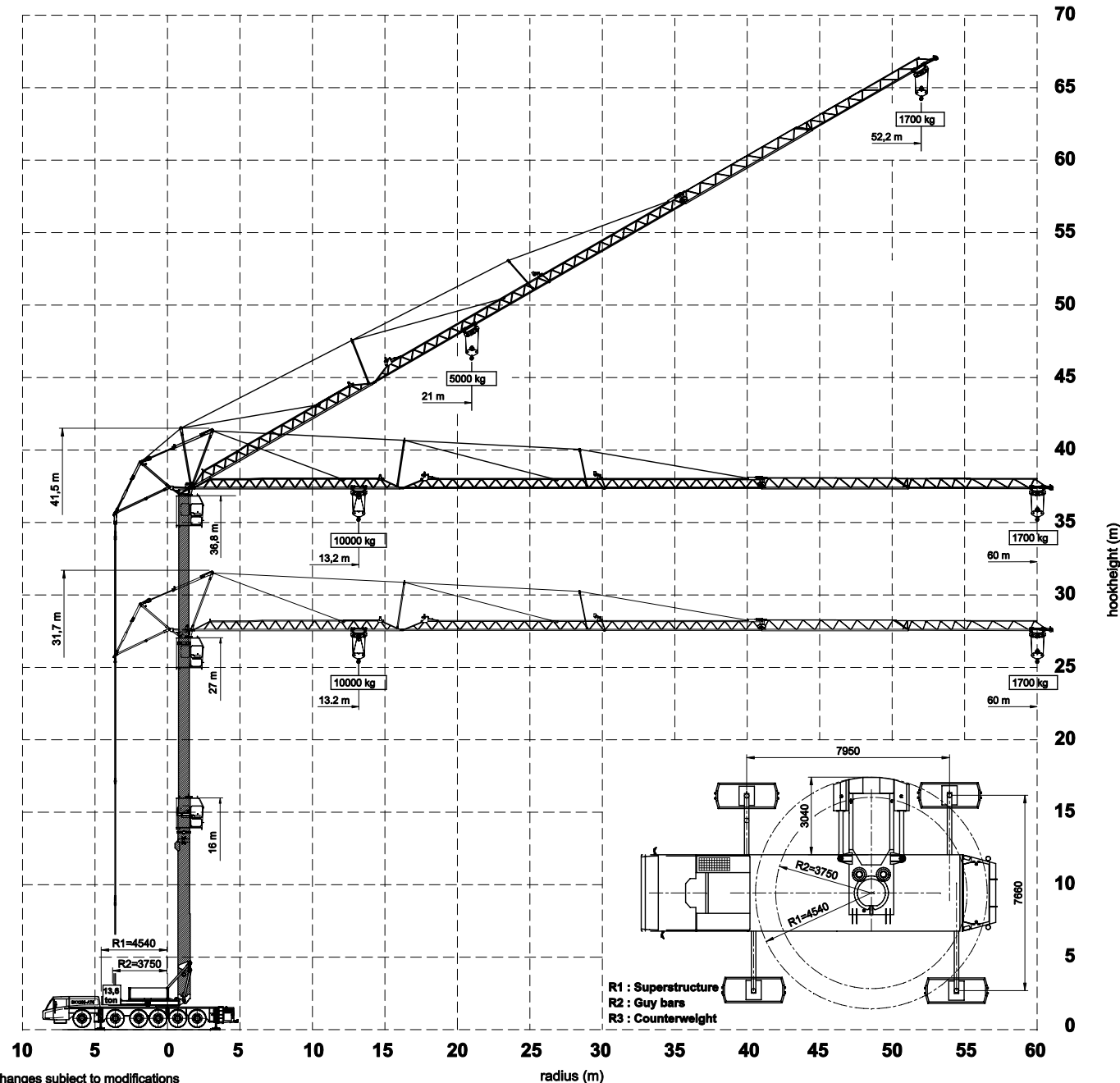
SPIERINGS HYDRAULIC FOLDING CRANE SK1265-AT6

Hoisting Specifications

Jib radius 60 m

Outrigger support base

7,95 m x 7,66 m



Merwedestraat 15
5347 KZ Oss NL
Tel. +31 (0)412-628964
Fax +31 (0)412-645299
www.spieringscranes.com

121-00126104

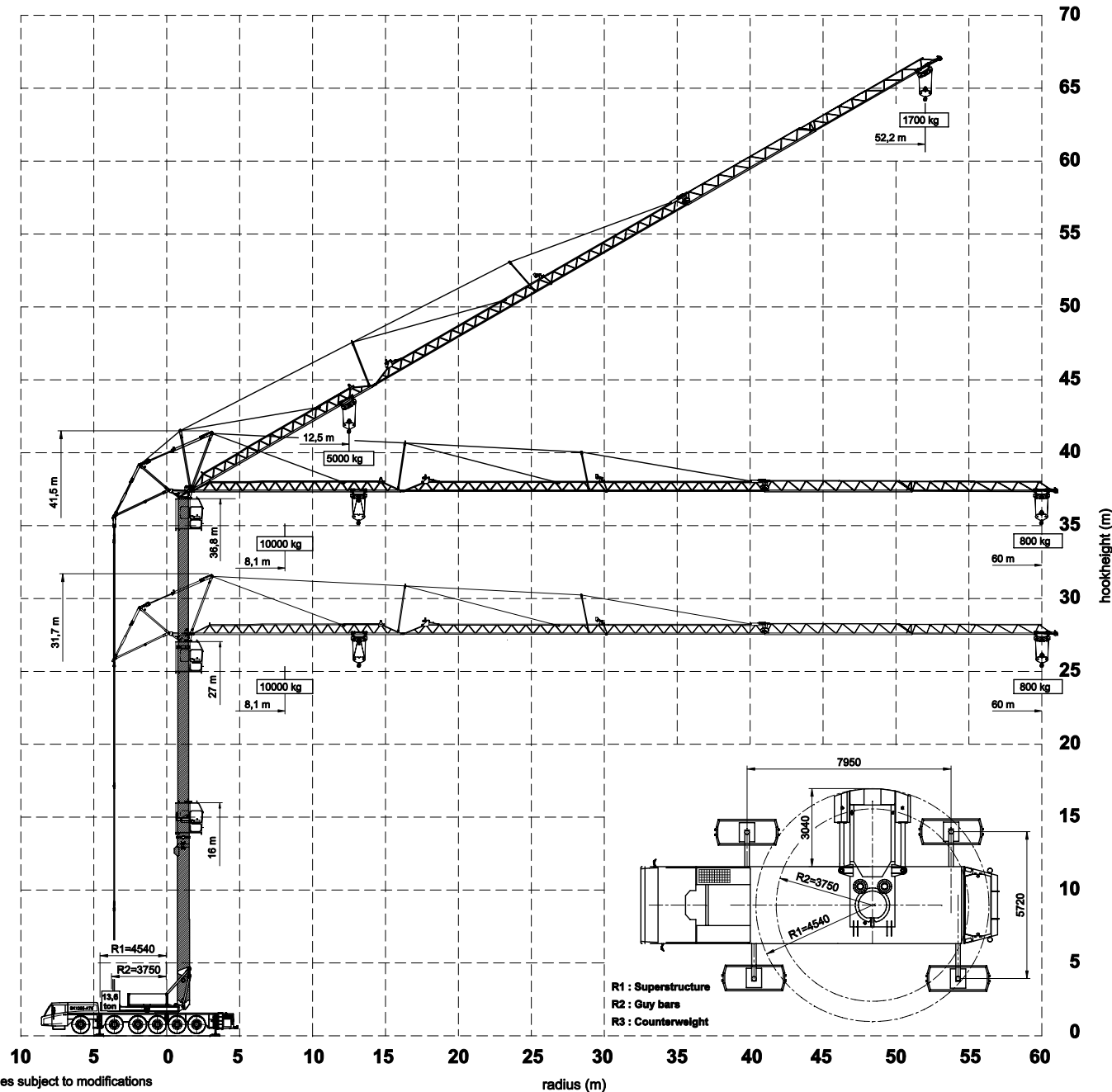
SPIERINGS HYDRAULIC FOLDING CRANE SK1265-AT6

Hoisting Specifications

Jib radius 60 m

Outrigger support base

7,95 m x 5,72 m



Merwedestraat 15
5347 KZ Oss NL
Tel. +31 (0)412-626964
Fax +31 (0)412-645299
www.spieringscranes.com

121-00126105



SPIERINGS CRANES

Make: SPIERINGS

Type: SK1265-AT6

Crane specification (Jib length 52 m)

Serial number

Year of construction

Crane group : A3 as per FEM 1.001
 Loadspectrum : Q1 as per FEM 1.001
 Classification : U4 as per FEM 1.001
 Stability : as per FEM 1.001

Max. load
10,0 tonne

Max.radius
with max. load
13,57 m

Max. capacity
135 tm

Max. jib length
52 m

Speeds Jib horizontal / jib 30° luffed

	m/min	kg		0 - 70 m/min
	15	10000		
	30	5000		0-0,7 r/min
	45	2500		
75	0			

All motions with hydraulic proportional controls.
 Luffing the jib 30° can be controlled from crane cab or by remote control.
 Crane can be driven in its erected position under special conditions (refer user guide).

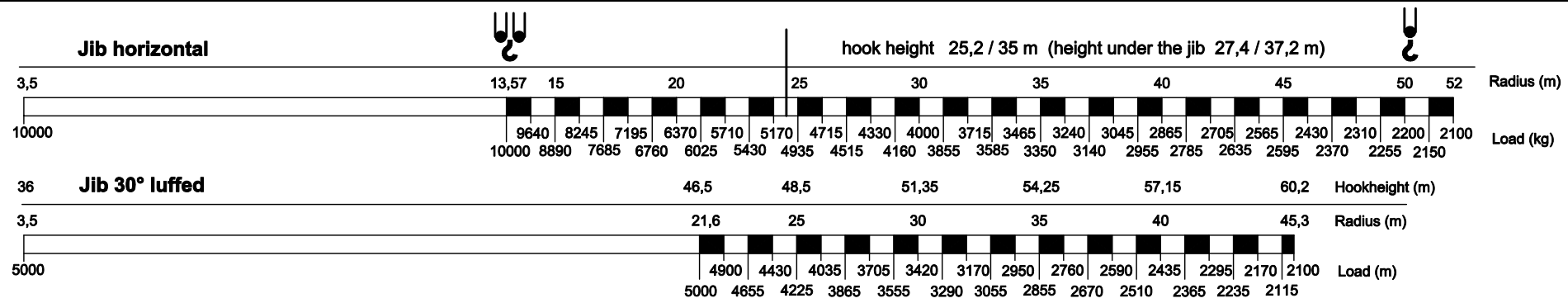
Continuous slewing of the crane (360°) with the outriggers out and support pads down.
 The crane should be folded in at wind force 9 (Bf) (21 m/sec) or when not in use for a longer period.
 Operating temperature range from -15°C till +40°C

Counterweight Crane : 13600 kg.
 Rated lifting capacity is net capacity.
 Max. line pull force : 2500 kg.
 2 parts of line : 5000 kg - 1700 kg
 4 parts of line : 10000 kg - 5000 kg
 Sail area of the load max.: 1,0 m²/ ton.

Outriggers positioned according to lifting chart
 Outrigger support base : 7,95 x 7,66 m.
 Operation allowed up to wind force 7 (14 m/s).
 Outrigger support base : 7,95 x 5,72 m.
 Operation allowed up to wind force 7 (14 m/s).
 Max. outrigger force: 520 kN.

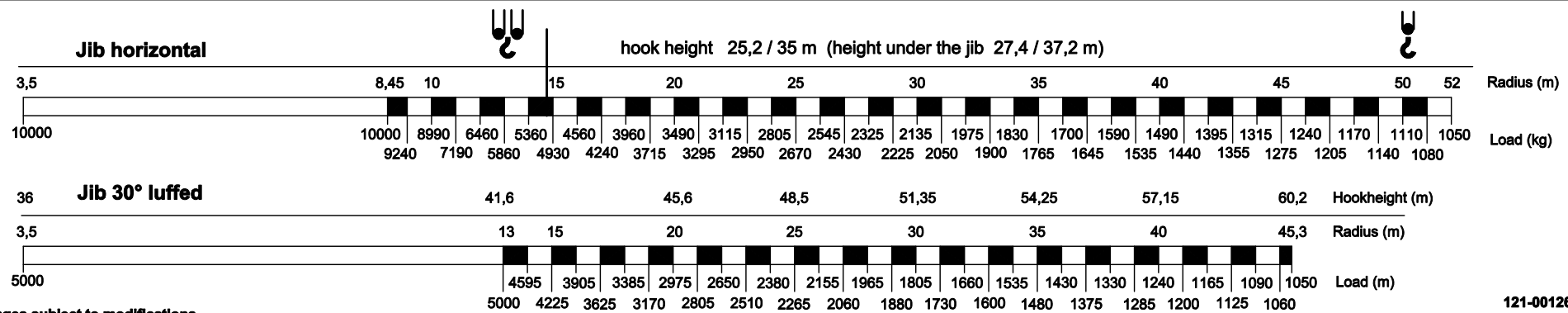
Lifting chart

Outrigger support base : 7,95 m x 7,66 m



Lifting chart

Outrigger support base : 7,95 m x 5,72 m



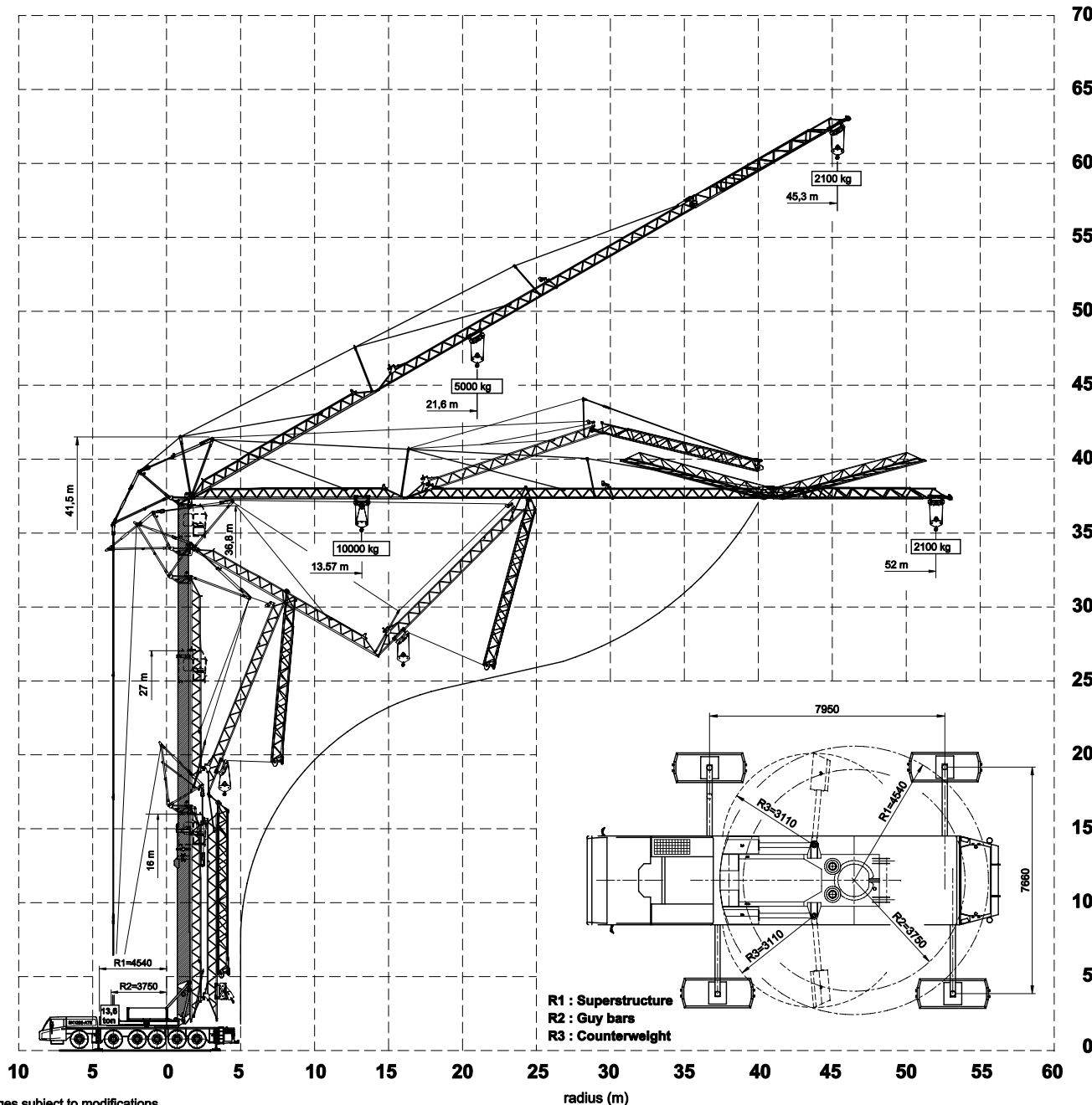
changes subject to modifications

SPIERINGS HYDRAULIC FOLDING CRANE SK1265-AT6

Erection procedure of the crane Jib radius 52 m

Max. outrigger force : 520 kN
 Outrigger support pads : 750x600 mm
 Ground pressure : 1,15N/mm²
 Jib can be unfolded through 360°
 Luffing the jib 30° can be controlled from
 the crane cab or remote control

Outrigger support plates : 2500x1000 mm
 surface : 2,35 m²
 Ground pressure : 0,22 N/mm²



hook height (m)

Changes subject to modifications

SPIERINGS
MOBILE CRANES
 Merwedestraat 15
 5347 KZ Oss NL
 Tel. +31 (0)412-626964
 Fax +31 (0)412-645299
 www.spieringscranes.com

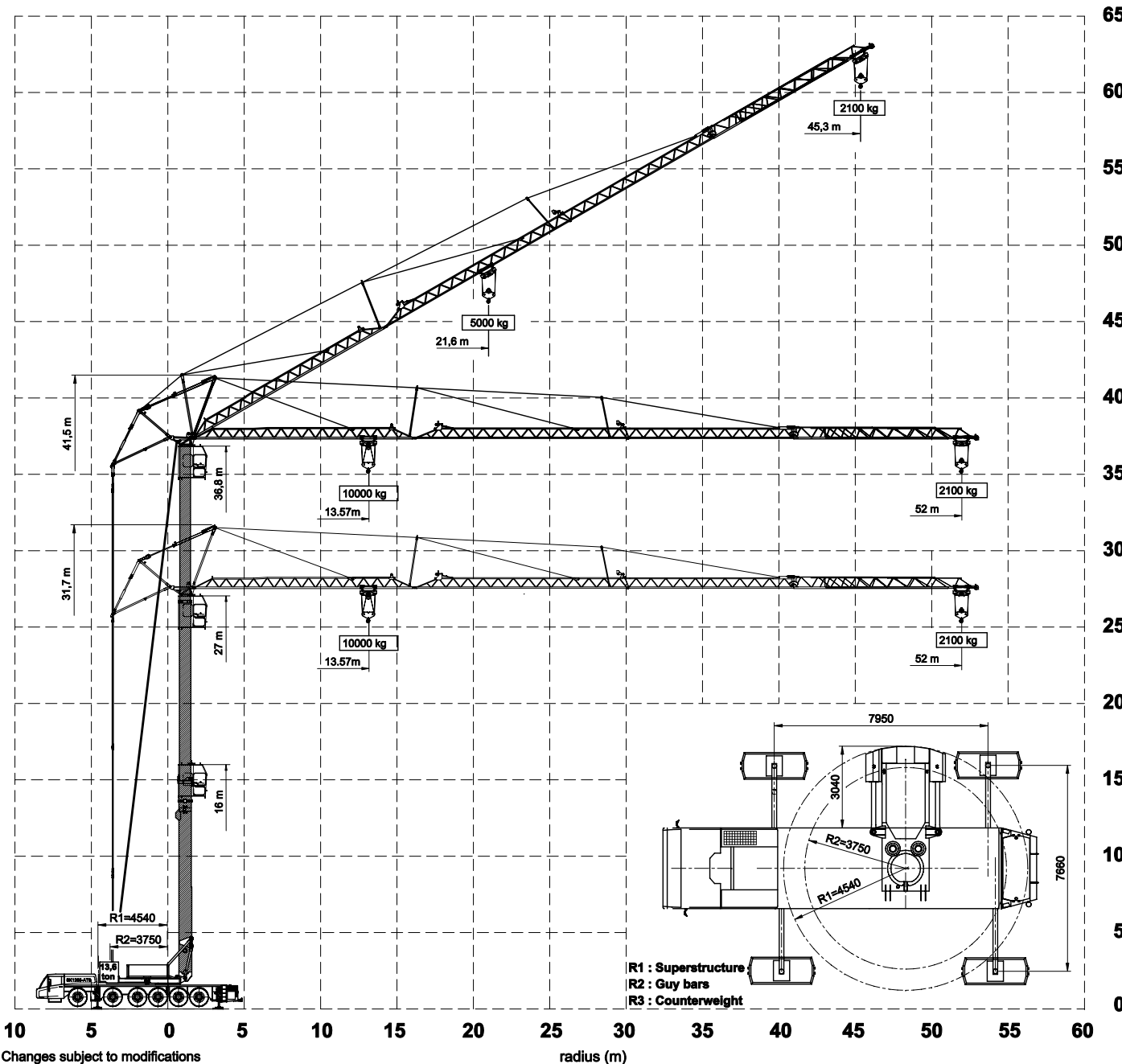
SPIERINGS HYDRAULIC FOLDING CRANE SK1265-AT6

Hoisting Specifications

Jib radius 52 m

Outrigger support base

7,95 m x 7,66 m



hookheight (m)

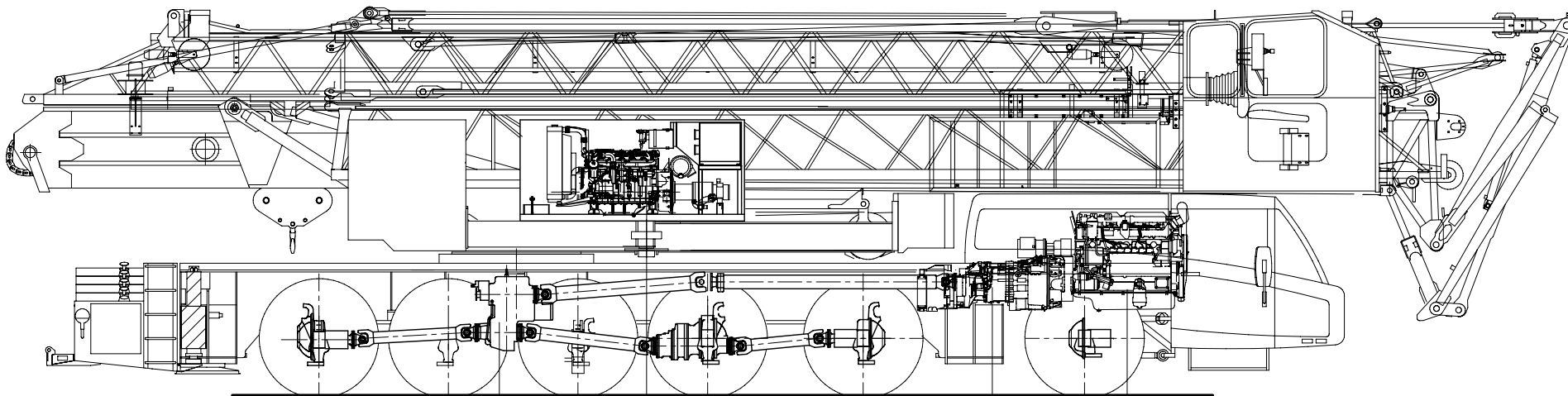
R1 : Superstructure
R2 : Guy bars
R3 : Counterweight



Merwedestraat 15
5347 KZ Oss NL
Tel. +31 (0)412-626964
Fax +31 (0)412-645299
www.spieringscranes.com

121-00126154

Changes subject to modifications



Axle 6

Axle 5

Axle 4

Axle 3

Axle 2

Axle 1

Transfer box:

STEYR VG2001/396

Road gear $i=0,89$

Off road gear $i=1,54$

Crane diesel engine:

John Deere 4045HF475

Power: 129 kW (2200 tpm)

Torque: 700 Nm (1400 tpm)

Gearbox:

ZF 16AS2601

Automatic

Dry plate clutch

+ interarder

Carrier diesel engine:

Euro IV

DAF: MX 375 (12,9 ltr)

Power: 375 kW (1900 tpm)

Torque: 2500 Nm (1000-1410 tpm)

Axle 1 : Steer axle

Axle 2 : Steer drive axle (end reduction $i=7,29$)

Axle 3 : Steer drive axle (end reduction $i=7,29$)

Axle 4 : Axle , non steered and non powered

Axle 5 : Steer axle

Axle 6 : Steer drive axle (end reduction $i=7,29$)

Tyres

: 445/75 R22,5

Suspension: hydro-pneumatic on all axles; stroke cyl.

: 247 mm

Max. speed carrier

: 85 km/h

Min. speed carrier (engine at 1000 rpm)

: 1,6 km/h

Overall weight

: 72.000 kg.

Drive train Spierings Folding Crane SK 1265-AT6

SPIERINGS
MOBILE CRANES

Merwedestraat 15

5347 KZ Oss NL

Tel. +31 (0)412-626964

Fax +31 (0)412-645299

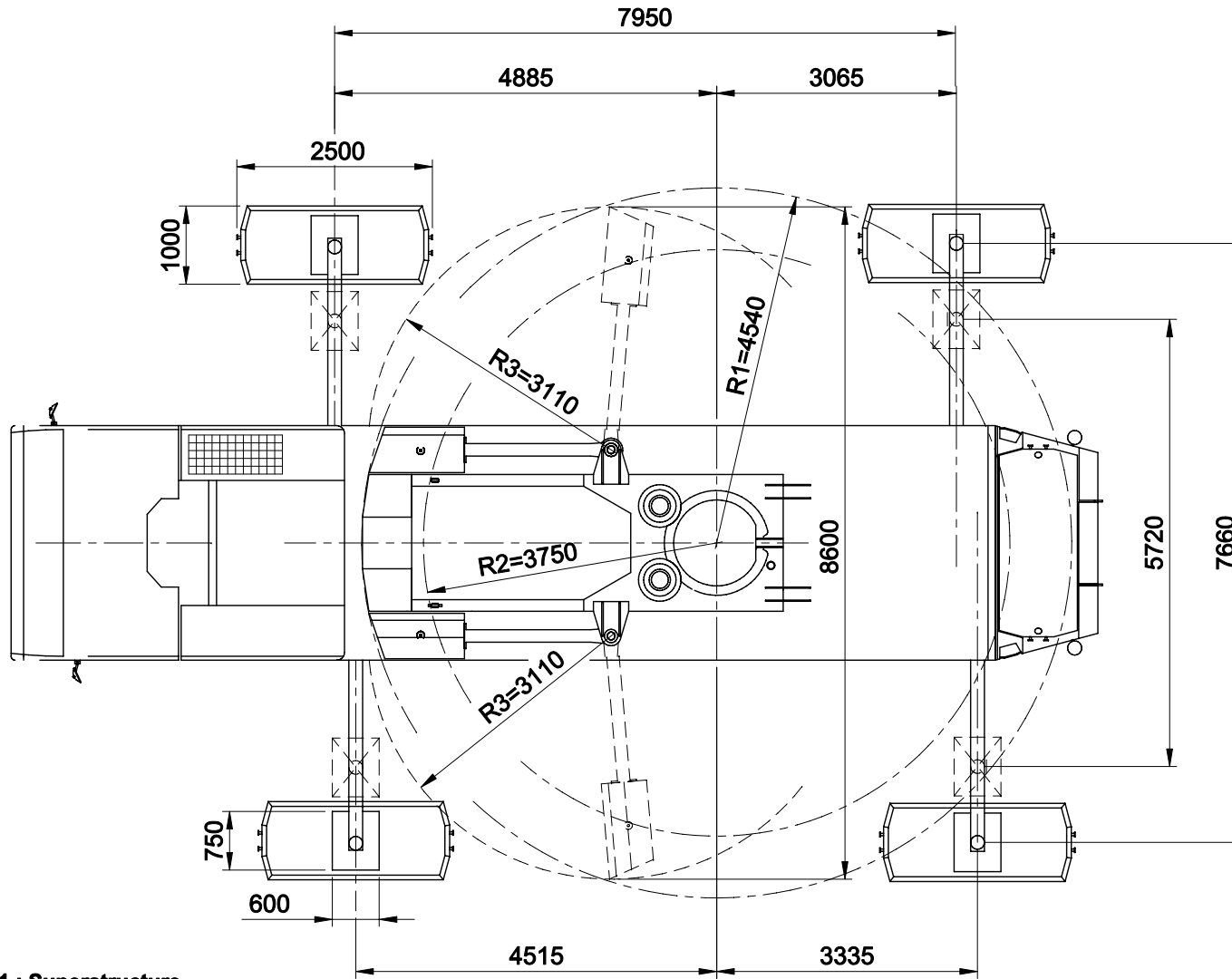
www.spieringscranes.com

121-00126106

SPIERINGS

HYDRAULIC FOLDING CRANE

SK 1265 - AT6



R1 : Superstructure
R2 : Guy bars
R3 : Counterweight

Outrigger support base	
Max. outrigger force	520 kN
Outrigger support pads	750x600 mm
Ground pressure	1,15 N/mm ²
Outrigger support plates	2500x1000 mm
Surface	2,35 m ²
Ground pressure	0,22 N/mm ²

SPIERINGS
MOBILE CRANES

Merwedestraat 15
 5347 KZ Oss NL
 Tel. +31 (0)412-626964
 Fax +31 (0)412-645299
www.spieringscranes.com